

8317072931

AC axial fan - HyBlade®

sickled blades (S series)

with guard grille for short nozzle

ebm-papst Ventilator (Shanghai) Co.,Ltd.

No.418, Hua Jing Road, Wai Gao Qiao Free Trade Zone, Pudong

Tel:+86(021)-50460183

www.ebmpapst.com

Nominal data

Type	8317072931	
Motor	M4E068-CF	
Phase		1~
Nominal voltage	VAC	230
Frequency	Hz	50
Type of data definition		ml
Valid for approval / standard		CE
Speed	min ⁻¹	1320
Power input	W	72
Current draw	A	0.32
Motor capacitor	µF	2
Capacitor voltage	VDB	400
Capacitor standard		P0 (CE)
Max. back pressure	Pa	60
Min. ambient temperature	°C	-40
Max. ambient temperature	°C	50

ml = max. load · me = max. efficiency · fa = running at free air · cs = customer specs · cu = customer unit
Subject to alterations



AC axial fan - HyBlade®

sickled blades (S series)

with guard grille for short nozzle

Technical features

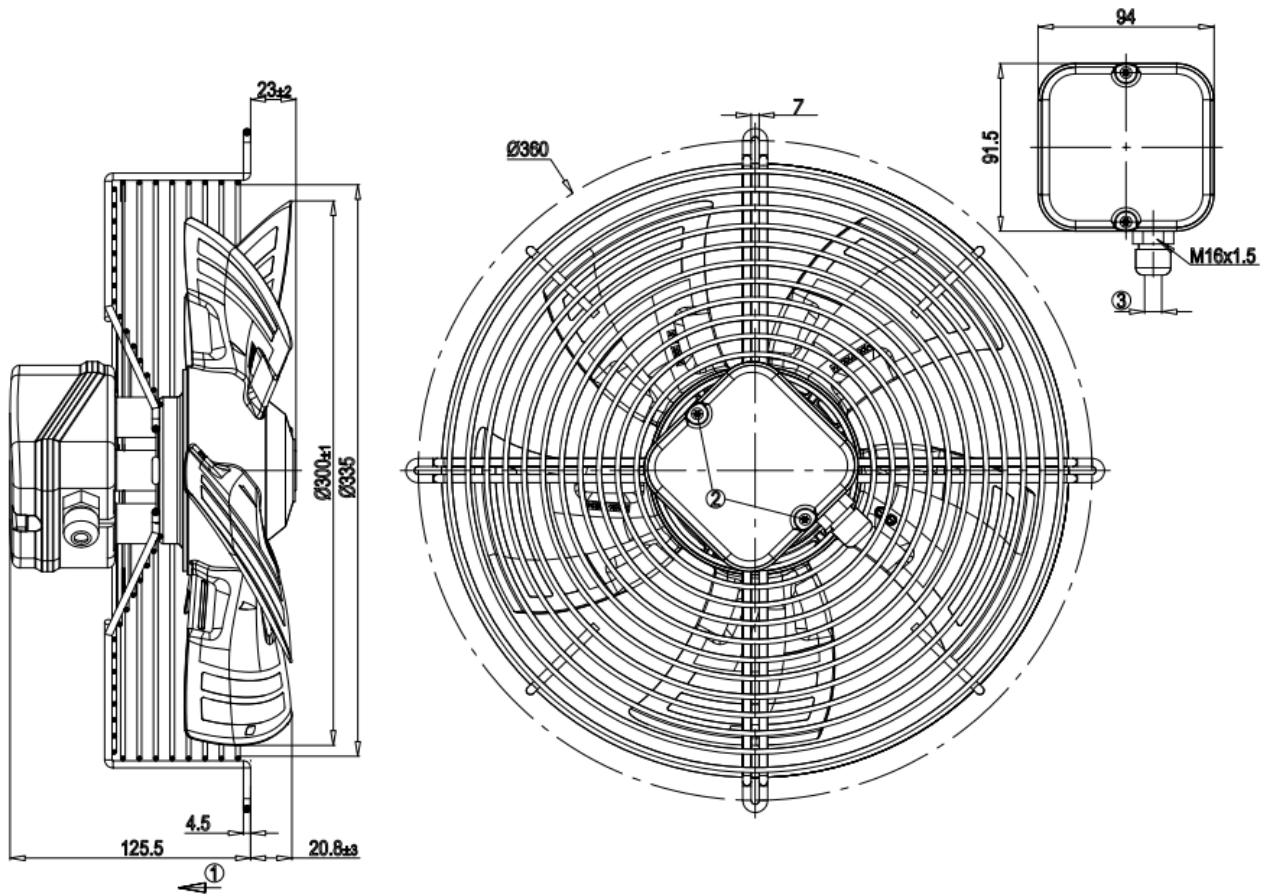
Mass	2.84 kg
Size	300 mm
Surface of rotor	Coated in black
Material of terminal box	ABS plastic, black
Material of blades	PP-GF40 plastic
Material of guard grille	Steel, phosphated and coated in black plastic
Number of blades	5
Direction of air flow	"V"
Direction of rotation	Counter-clockwise, seen on rotor
Type of protection	IP 44; Depending on installation and position
Insulation class	"B"
Humidity class	F1-2
Max. permissible ambient motor temp. (transp./ storage)	+ 80 °C
Min. permissible ambient motor temp. (transp./storage)	- 40 °C
Mounting position	Any
Condensate discharge holes	None
Operation mode	S1
Motor bearing	Ball bearing
Leakage current	< 0.75 mA
Electrical leads	Via terminal box, integrated capacitor connected via terminal box
Motor protection	Thermal overload protector (TOP) wired internally
Cable exit	Variable
Protection class	I (if protective earth is connected by customer)
Approval	CCC

AC axial fan - HyBlade®

sickled blades (S series)

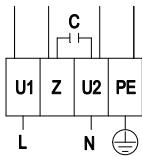
with guard grille for short nozzle

Product drawing



1	Direction of air flow "V"
2	Tightening torque 0.7 Nm ± 0.2 Nm
3	Cable diameter: max. 7.2 mm

Connection screen



L	= U1 = blue	Z	brown	N	= U2 = black
PE	green/yellow				

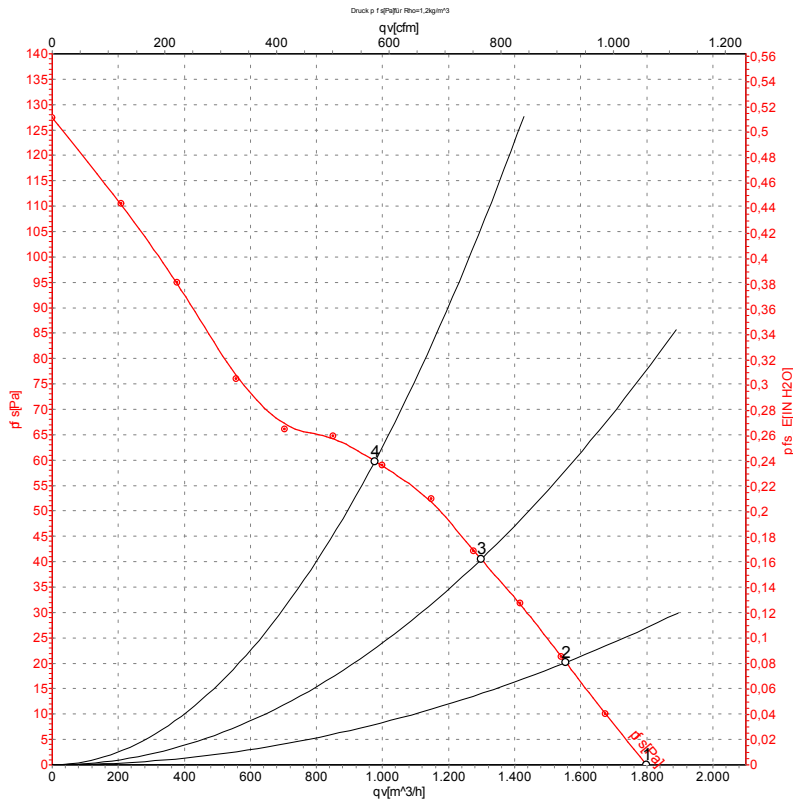


AC axial fan - HyBlade®

sickled blades (S series)

with guard grille for short nozzle

Charts: Air flow 50 Hz



Measurement: LU-112383

Air performance measured as per ISO 5801 Installation category A. For detailed information on the measuring set-up, please contact ebm-papst. Suction-side noise levels: LwA measured as per ISO 13347 / LpA measured with 1m distance to fan axis. The values given are valid under the measuring conditions mentioned above and may vary according to the actual installation situation. With any deviation from the standard set-up, the specific values have to be checked and reviewed with the unit installed.

Measured values

	U	f	n	P _e	I	LpA _{in}	LwA _{in}	qv	p _{fs}
	V	Hz	min ⁻¹	W	A	dB(A)	dB(A)	m ³ /h	Pa
1	230	50	1380	62	0.28	53	60	1800	0
2	230	50	1370	63	0.28	52	59	1555	20
3	230	50	1355	66	0.29	51	58	1300	40
4	230	50	1320	72	0.32	53	61	975	60

